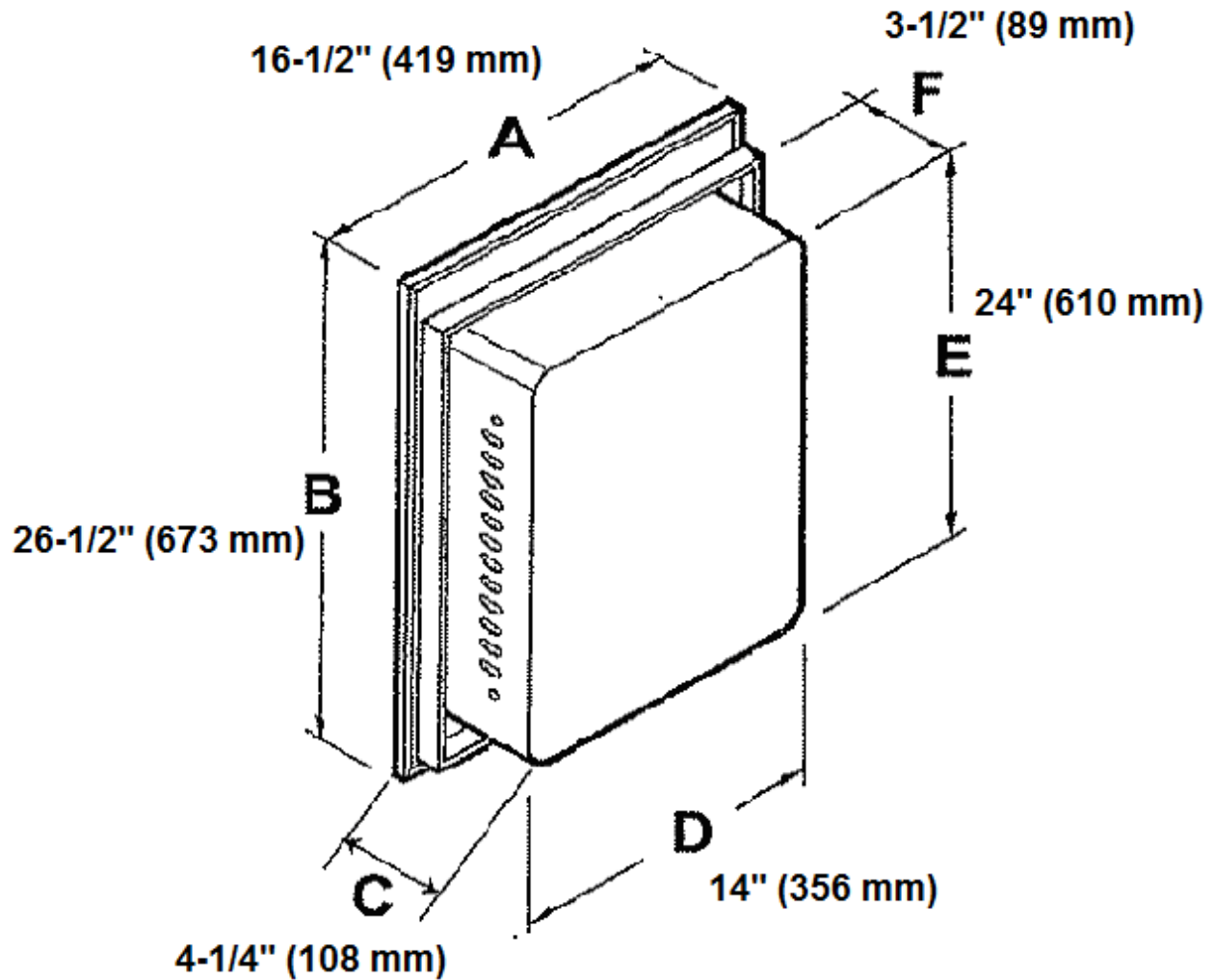


# QUALITY HOME PRODUCTS

## MEDICINE CABINET 1424 SERIES



### FEATURES

- \* Recessed installation for standard opening
- \* Powder coated heavy gauge drawn steel construction, one piece, resistant to rusting and easy to clean
- \* High grade float glass mirror, 3 MM thick. Or 1/8"
- \* Aluminum extruded frame, prevents tarnishing and rusting
- \* Spot welded full piano hinge with stainless steel hinge pin to prevent rusting

- \* Adjustable powder coated steel shelves. 3 pcs. per cabinet
- \* Reversible for left or right hand door opening
- \* Includes mounting hardware

**Available in the following styles:**

- 1) Model 1424F/N – With aluminum frame; Frame finish available in bright chrome
- 2) Model 1424P – POLISHED EDGE HIGH GRADE FLOAT GLASS MIRROR. WITH GLASS EDGE SEALER
- 3) Model 1424B – ½” BEVELED HIGH GRADE FLOAT GLASS MIRROR. WITH GLASS EDGE SEALER

\* PAINT USED FOR MIRROR BACKING IS “LEAD FREE” PAINT

**Dimensions:**

**OVERALL SIZE**

A – 16 ½” with mirror. Mirror size is 16 3/8” x 26 3/8” for polished and beveled mirror.  
For framed mirror medicine cabinet, the size is 16 1/16” x 26 ¼”

B - 26 ½”

C – 4 ¼”

**Wall Opening:**

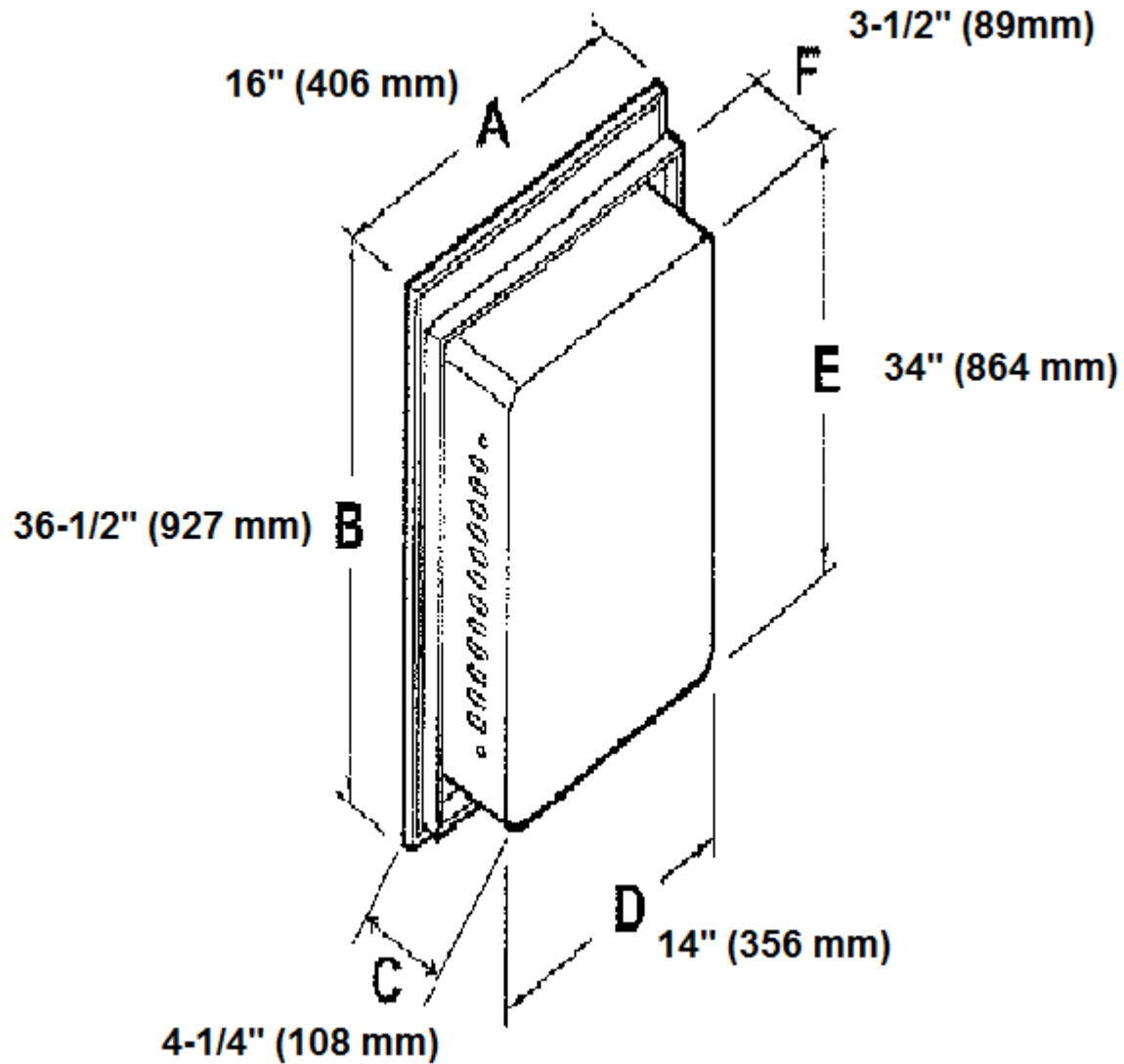
D – 14”

E – 24”

F – 3 ½”

# QUALITY HOME PRODUCTS

## MEDICINE CABINET 1434 SERIES



### FEATURES

- \* Recessed installation for standard opening
- \* Powder coated heavy gauge drawn steel construction, one piece, resistant to rusting and easy to clean
- \* High grade float glass mirror, 5 MM thick. Or 3/16"
- \* Spot welded full piano hinge with stainless steel hinge pin to prevent rusting

- \* Adjustable powder coated steel shelves. 3 pcs. per cabinet
- \* Reversible for left or right hand door opening
- \* Includes mounting hardware

**Available in the following styles:**

- 1) Model 1434P – POLISHED EDGE HIGH GRADE FLOAT GLASS MIRROR. WITH GLASS EDGE SEALER
- 2) Model 1434B – ½” BEVELED HIGH GRADE FLOAT GLASS MIRROR. WITH GLASS EDGE SEALER

\* PAINT USED FOR MIRROR BACKING IS “LEAD FREE” PAINT

**Dimensions:**

OVERALL SIZE

A – 16” with mirror. Mirror size is 16 3/8” x 26 3/8” for polished and beveled mirror.

B - 36 ½”

C – 4 ¼”

**Wall Opening:**

D – 14”

E – 34”

F – 3 ½”

DATE:

2/1/2015

QUALITY HOME PRODUCTS

MEDICINE CABINET

PRICE LIST

Prices: F.O.B. Rancho Cucamonga, CA

Prepaid freight on 200 units to - Arizona, California & Nevada

Add \$2.00 per unit for Prepaid freight on 200 units to - Colorado, Oregon, Utah, Washington & Texas

All Central and Eastern States: Same prices apply, except all prices are F.O.B. Rancho Cucamonga, CA

"Prices are subject to change without notice"

Terms: 2% 10 Days, Net 30

OC1424P

14" X 24"

PENCILED

22.60

EA

OC1424B

14" X 24"

BEVELED

22.69

EA

OC1424F

14" X 24"

CHROME EDGE

22.52

EA

OC1434P

14" X 34"

PENCILED

34.23

EA

OC1434B

14" X 34"

BEVELED

34.99

EA

8885 WHITE OAK AVE. UNIT 104

RANCHO CUCAMONGA, CALIFORNIA 91730

PHONE: 909-948-9500 FAX: 909-948-9558

[mvanduynel@msn.com](mailto:mvanduynel@msn.com)